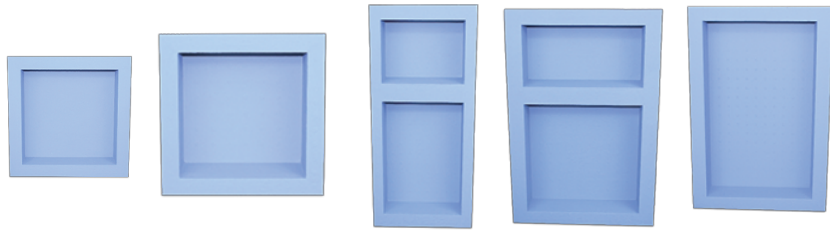


1. PRODUCT NAME

Preformed Niches

2. MANUFACTURER

PROFLEX® Products, Inc.
 1603 Grove Ave
 Haines City, FL 33844
 Telephone: 863-937-9623
 Toll Free: 877-577-6353
 Fax: 863-937-9624
 Internet: www.proflex.us



3. PRODUCT DESCRIPTION

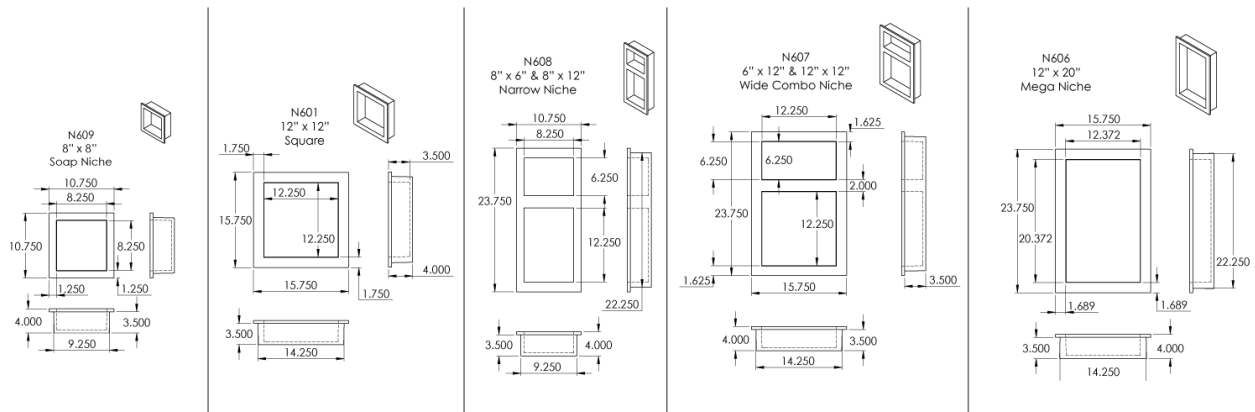
PROFLEX® Preformed Niches are quick and easy to install and ready to tile. In general it is important that the unit is properly supported in place and that a waterproof seal has been established. PROFLEX® Niches are made from high-quality, lightweight high-density polystyrene that are pre-formed for any custom tile or stone shower installation.

Advantages

- Waterproof coating is ready to tile & meets ANSI 118.10 requirements.
- Strong & lightweight - easy to handle.
- Quick & easy to install.
- Lightweight high-density polystyrene.
- Suitable for interior & exterior applications.
- Can be used in kitchens, hallways & other living areas,
- A variety of sizes and designs to choose from.

PreFormed Niche Models (pictured left to right above)

1.	Product #	Description
2.	FSON609	8" x 8" Soap
3.	FSON601	12" x 12" Square
4.	FSON608	6" x 8" & 8" x 12" Narrow Combo
5.	FSON607	6" x 12" & 12" x 12" Wide Combo
6.	FSON606	12" x 20" Mega



4. TECHNICAL DATA

n/a.

5. INSTALLATION

Open Wall Installation

1. Determine the proper height and placement of the niche between the studs and mark them appropriately.
2. Install horizontal cross bracing to support the top and bottom of unit (this step is recommended but not required for proper installation).
3. Adhere niche to studs and cross members using Polyurethane adhesive/sealant on the back of the flange and contact areas.
4. Install 1/2" backer board tight and flush to the 1/2" flange of the niche.

5. Fill gap less than 1/8" between backer board and niche flange using PROFLEX® Hydra-Seal and embed 6" Hydra Mesh. Fill any gap greater than 1/8" with PROFLEX® Pro-Stick series modified mortar. Once mortar is dry apply liberal coat of Hydra-Seal and embed 6" mesh. Apply second coat of Hydra-Seal to area once first coat is dry.
6. Alternatively, where waterproofing is not a concern, the seam can be treated using the same method used to seam backer board (fiberglass tape embedded using polymer modified thinset.)
7. Install tile according to TCNA guidelines.

One Substrate Panel Installation

1. Determine stud location - Niche should fit well between studs that are 16 inches on center.
2. Trace outer dimensions of flange making sure the body of the niche is lined up with the inside of the stud(s) and the flange overlaps the stud(s).
3. Cut out the single section of backer board.
4. If possible, install horizontal cross bracing above and below niche for added support.
5. Adhere niche to studs and cross members using Polyurethane adhesive/sealant on the back of the flange and contact areas.
6. Seal the seam between backer board and niche as described above in Open Wall Installation.
7. Install tile according to TCNA guidelines.

Two Substrate Panel Installation

In the case where there are 2 layers of substrate panels

1. Determine the desired height of niche and draw a horizontal reference line with a level.
2. Place the back of the niche (not the flange) in a desired location using the reference line for level and trace around the edge.
3. Cut through both panels and remove.
4. Place the niche in the opening and trace around the flange.
5. Cut out the superficial layer of backer board and remove.
6. If possible, install horizontal cross bracing above and below niche for added support.
7. Adhere niche to studs and cross members using Polyurethane adhesive/sealant on the back of the flange and contact areas.
8. Seal the seam between backer board and niche as described above in Open Wall Installation.
9. Install tile according to TCNA guidelines.

After niche is set in place check to make sure waterproof coating has remained intact from installation. If there are punctures or other compromises in the coating it is recommended to apply two coats of PROFLEX® Hydra-Seal or other approved liquid applied waterproofing membrane to ensure a waterproof seal.

Limitations

- Niches must be covered with ceramic or stone tile.
- Niche installation and wall surfaces must have the structural integrity to support ceramic or stone tile.
- Do not use silicones, mastics, rubber solvents or ketones on this product.
- Avoid prolonged exposure to direct sun or weather.

6. AVAILABILITY

PROFLEX® Products are available nationwide.

To locate PROFLEX® products in your area, please contact:

Phone: 877-577-6353

Website: www.proflex.us

7. WARRANTY

PROFLEX® Products, Inc. offers a limited warranty for this product when used in accordance with printed specifications. A copy of the limited warranty can be obtained by calling technical services at 877-577-6353 or visiting www.proflex.us

8. MAINTENANCE

None required, but installation performance and durability may depend on properly maintaining products supplied by other manufacturers.

9. TECHNICAL SERVICES

Technical assistance

Information is available by calling the Technical Support

Toll Free: 877-577-6353

Fax: 863-937-9624

Technical and safety literature: To acquire technical and safety literature, please visit our website www.proflex.us

10. FILING SYSTEM

Division 9